



ZoneZ Lite Dimmer  
Quick Start Guide



## Table Of Contents

Preparation .....	2
ZoneZ Lite Dimmer Overview ..	3
Zones Lite Dimmer Option Dip Switches .....	4
Zones Lite Dimmer Action for Button Presses..	4
ZoneZ Lite Dimmer Contact Closure & LED Wiring .....	5
ZoneZ Lite Dimmer Contact Closure Three-Way Wiring .	6
ZoneZ Lite Dimmer Low Voltage Controller to Dimmer Board Wiring .	7
ZoneZ Lite Dimmer Line Voltage Wiring .....	8
Troubleshooting Guide .....	9
Frequently Asked Questions.....	10

## Preparation

Unpack the items and inspect the contents for damaged or missing parts. If any problems arise, please contact Touch-Plate at 260.426.1565 for assistance.

## Precautions

The ZoneZ hardware is designed to be in environments that have a temperature range of 0-60°C (non-condensing atmosphere). Installing in an environment outside of these parameters will shorten the life span of the hardware.

Touch-Plate recommends the use of solid or stranded 18 to 22 AWG wire for low voltage wiring of contact closure products and 18 AWG wire for all 24V power connections.

All 120VAC wiring must use wire as specified by National Electric Code for load size and wire length.

## Compatible Hardware

The ZoneZ product is a standalone item that can incorporate the following products:

- Contact Closure Switches (5000, Genesis, Classic, Eclipse, Industrial, Mystique, Royal, and/or Ultra Series)

## Warranty

Touch-Plate warrants this product against defects in materials or workmanship, under normal use, for a period of ONE (1) year from date of shipment. If a defect arises and a valid claim is received within the Warranty Period, Touch-Plate will repair or replace the product at no charge.

This warranty does not apply to:

- a. Damage to unit(s) caused by accident, acts of God, inappropriate installation, faulty installation, or any negligent use;
- b. Unit(s) which have been subject to being taken apart or otherwise modified;
- c. Unit not used in accordance with instructions;
- d. The finish on any portion of the product, such as surface and/or weathering, as this is considered normal wear and tear;
- e. Non-Touch-Plate hardware installed by the user;
- f. Damage caused by Non-Touch-Plate products;
- g. Damage caused by operating the product outside the permitted or intended uses described by Touch-Plate;
- h. -or- Specific plans or Specific application requirements, unless the plans and specifications have been forwarded to Touch-Plate and Touch-Plate has approved and accepted the plans in writing.

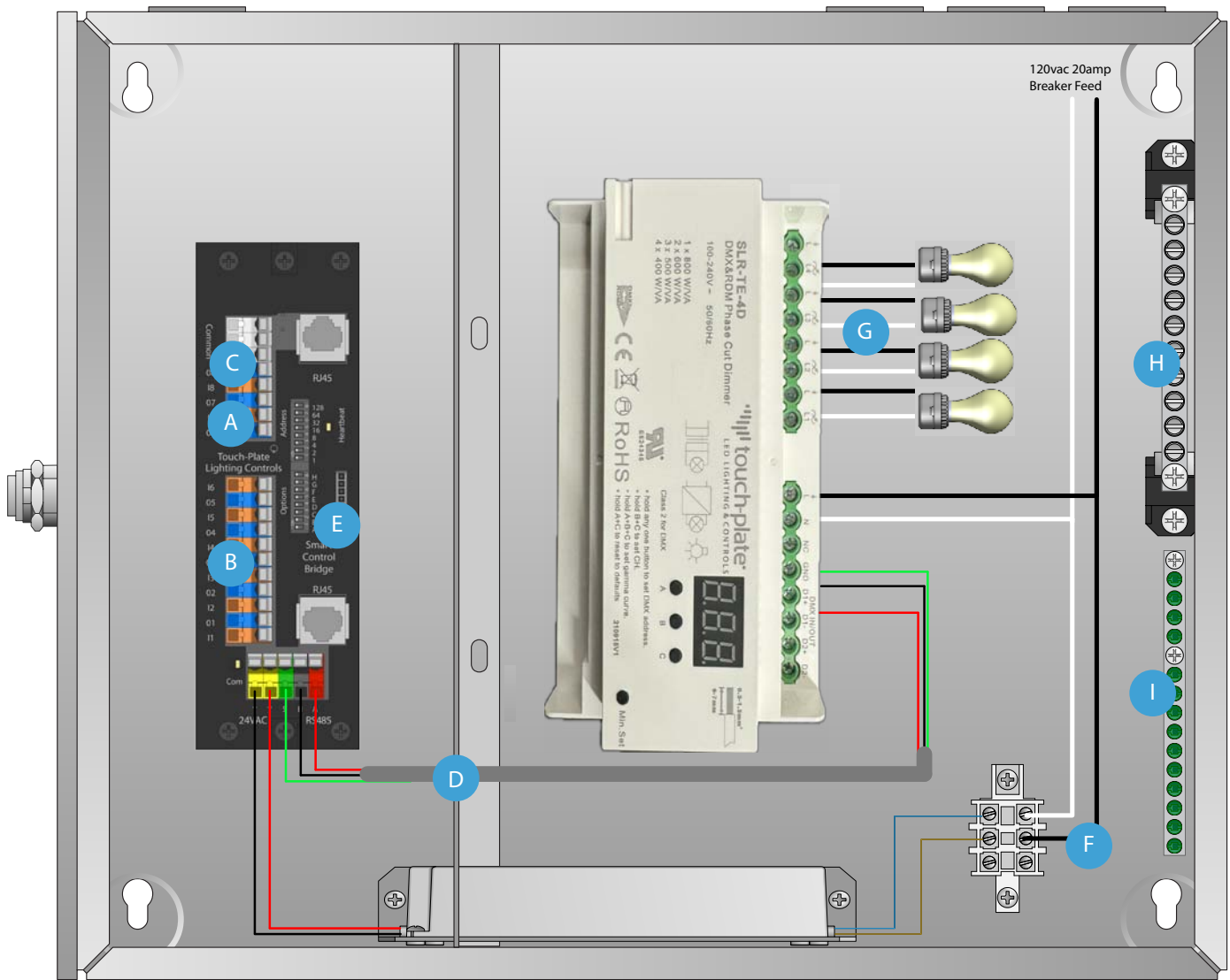
**EXCEPT AS PROVIDED IN THIS WARRANTY, TOUCH-PLATE IS NOT RESPONSIBLE FOR DIRECT, SPECIAL, INCIDENTAL, OR CONSEQUENTIAL DAMAGES RESULTING FROM ANY BREACH OF WARRANTY OR CONDITION, INCLUDING BUT NOT LIMITED TO, INSTALLATION OR REPLACEMENT LABOR COSTS.**



## ZoneZ Lite Dimmer Overview

The ZoneZ Lite Dimmer is a simple lighting solution that allows for on/off up/down functionality and LED control.

Board Items	Options	Board Position	Page #
Low Voltage Connections	Contact Closure LED Outputs (Blue)	A	5
	Contact Closure Switch Inputs (Orange)	B	5
	Switch/Pilot Common 24vdc +	C	5
	RS-485 Connection	D	7
	Options Dipswitches	E	4
Line Voltage Connections	RS-485 Data Connection	D	7
	Transformer Feed	F	8
	Dimmer Feeds (CH1 to CH4)	G	8
	Neutral Bar	H	8
	Ground Lug/Ground Bar	I	8



## ZoneZ Lite Dimmer Option Dip Switches

The Option Dip Switches are used to change and/or enable certain functions on the Smart Control DMX Bridge. All other dipswitches are preset from the factory.

Option	A	B	C	D	E	F	G	H
Lowest LED Intensity	OFF	OFF	-	-	-	-	-	-
Low LED Intensity	ON	OFF	-	-	-	-	-	-
Medium LED Intensity	OFF	ON	-	-	-	-	-	-
High LED Intensity	ON	ON	-	-	-	-	-	-
LED Outputs OFF	-	-	-	-	-	-	-	OFF
LED Outputs ON	-	-	-	-	-	-	-	ON
Input 8 Maintain NO Mode	-	-	-	-	-	-	ON	-
Input 8 Switch Mode	-	-	-	-	-	-	OFF	-

## Zones Lite Dimmer Action for Button Presses

### Dim Cycle Action:

Quick Button Press: Off/On to last preset.

Press & Hold Button: Dim Up, Release at the desired level.

Release & Press & Hold Button: Dim Down, Release at the desired level.



## ZoneZ Lite Dimmer Contact Closure & LED Wiring

To correctly wire LEDs to the ZoneZ Lite low voltage controller, use the wiring diagram below.

- **Touch-Plate recommends that if multiple ZoneZ Lite low voltage controllers are in a system, common wires should be jumped together. Jumping could be from low voltage controller to low voltage controller or to one common terminal.**

### LED Wiring

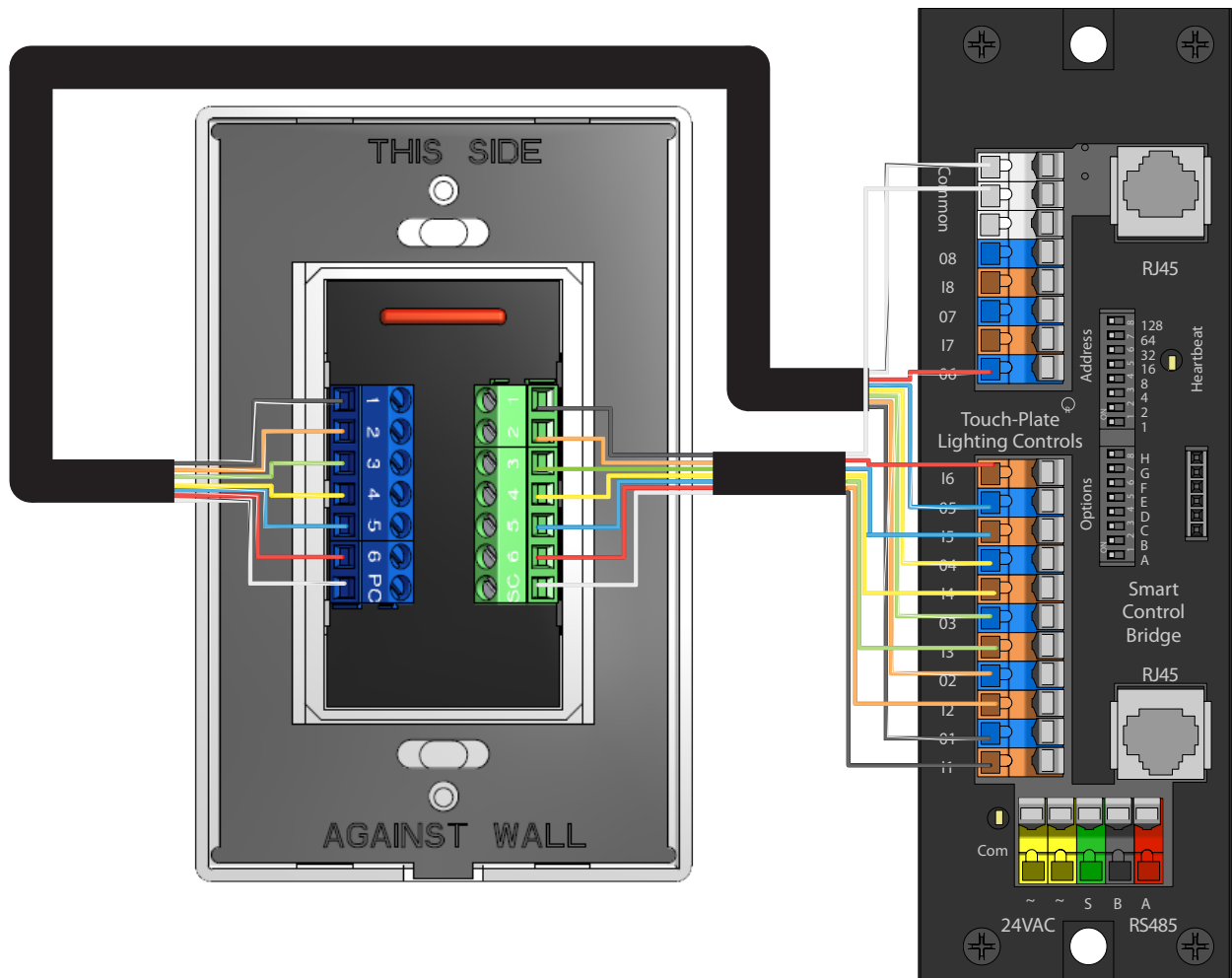
LEDs will be wired directly into the terminal of the corresponding relay.

For example, if LED 1 is to cycle when relay 1 is cycled, the wire would be brought into the terminal labeled 'O1' for Output 1.

### Contact Closure Input Wiring

Contact Closure switches will be wired directly into the terminal of the corresponding relay.

For example, if button 1 is to control relay 1, the wire would be brought into the terminal labeled 'I1' for Input 1.



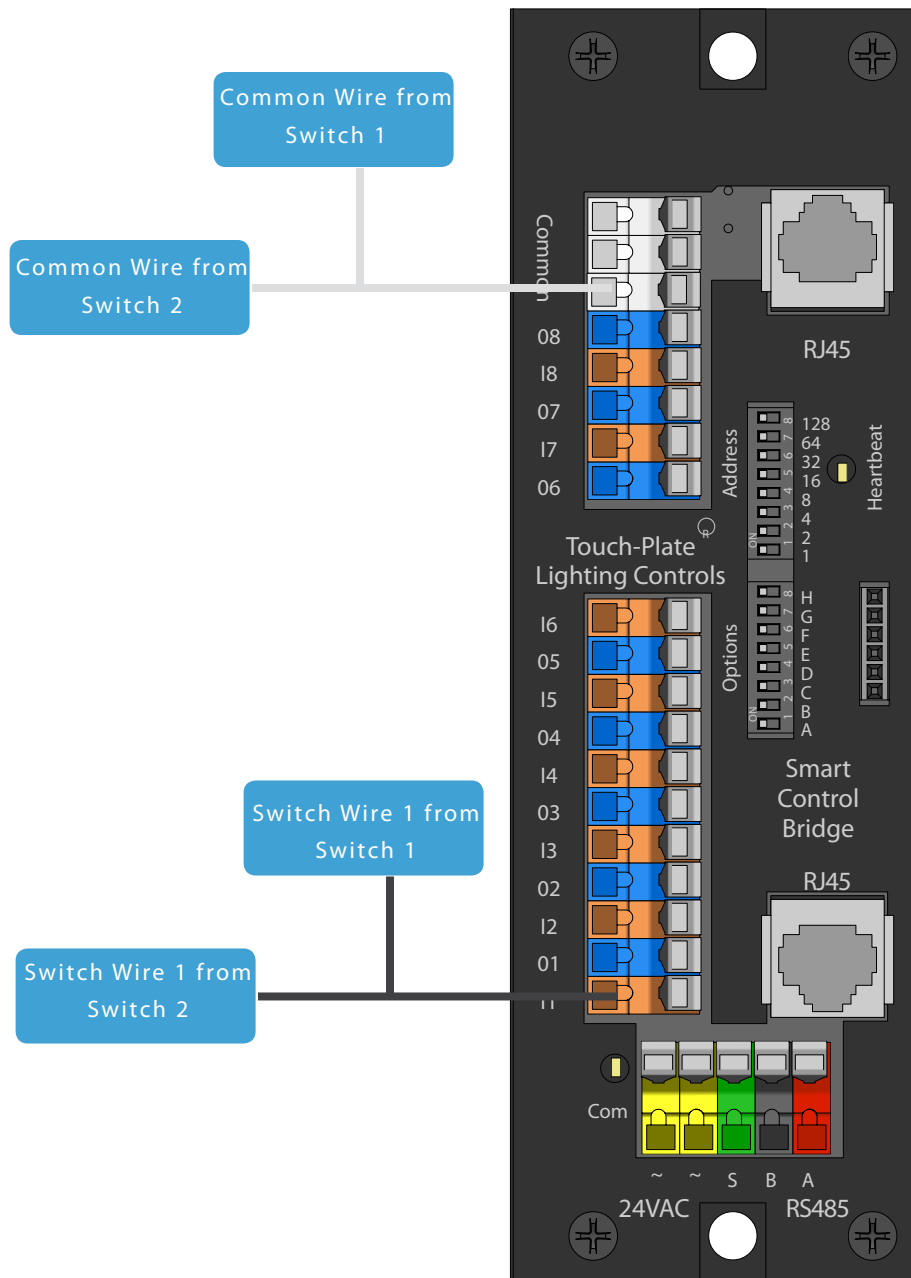
## ZoneZ Lite Dimmer Contact Closure Three-Way Wiring

To correctly wire contact closure stations via three-way wiring to the ZoneZ Lite low voltage controller, use the wiring diagram below.

- **Touch-Plate recommends that if multiple ZoneZ Lite low voltage controllers are in a system, common wires should be jumped together. Jumping could be from low voltage controller to low voltage controller or to one common terminal.**

Three-way wiring is another way to wire the switches. The purpose of Three-way wiring is to enable control of the same load from multiple locations.

For example, if switch 1, button 1 is to cycle relay 1 and if switch 2, button 1 is also to cycle relay 1, the wires from both switches would be brought into the terminal labeled 'I1' for Input 1.

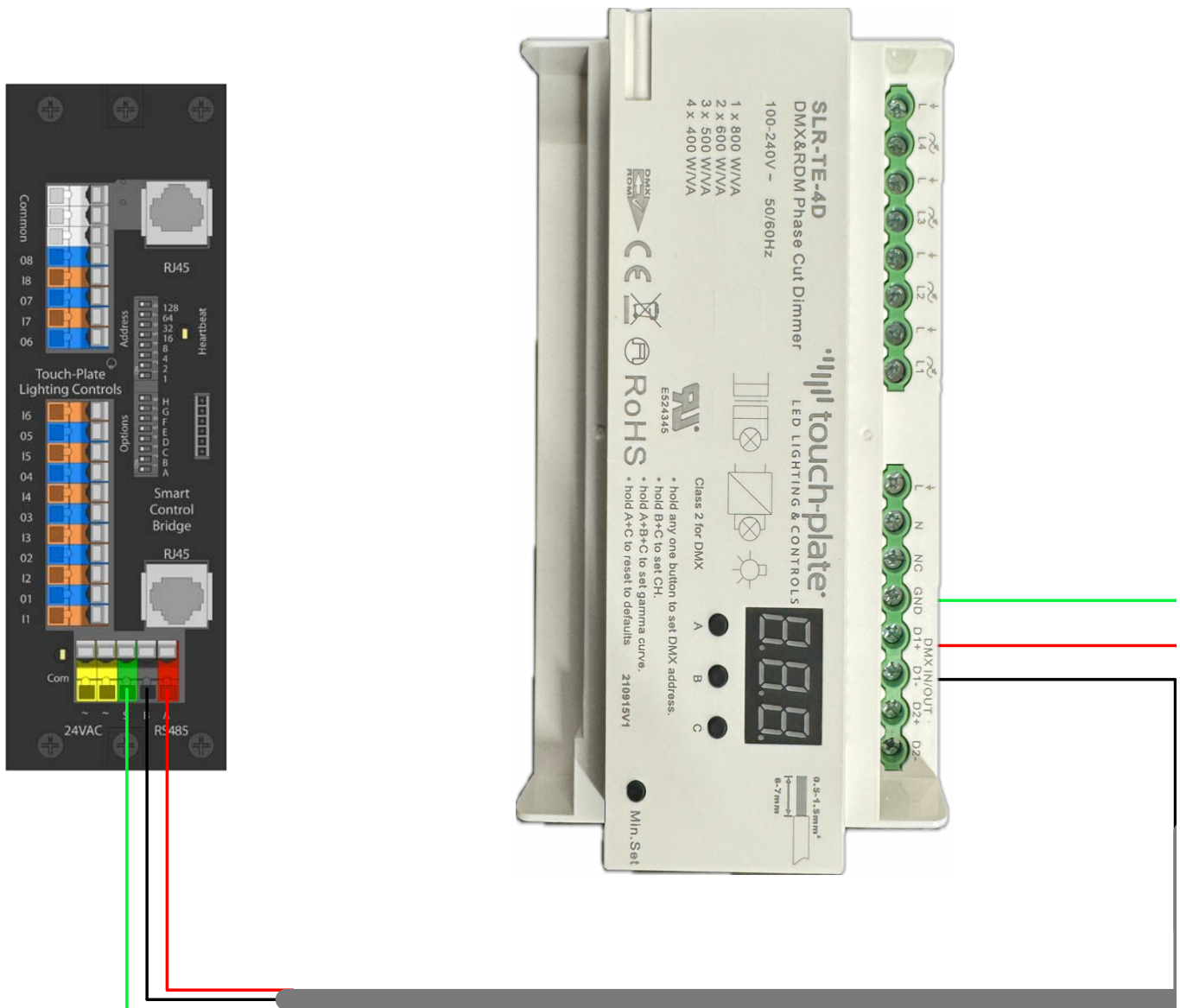




## ZoneZ Lite Dimmer Low Voltage Controller to Dimmer Board Wiring

To correctly wire the ZoneZ Lite low voltage controller to the ZoneZ Lite Dimmer board, use the wiring diagram below.

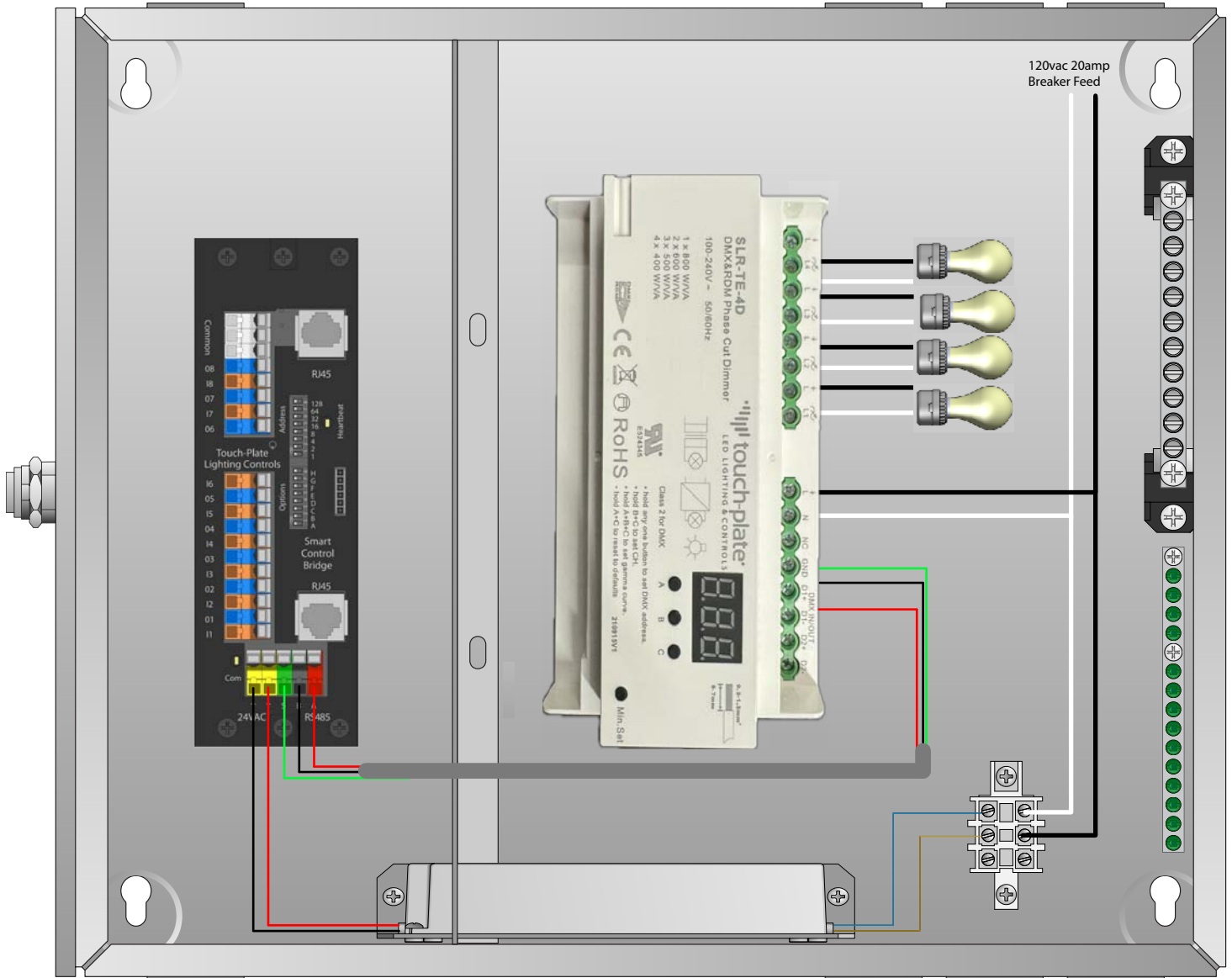
- Connect an 18-24ga data communication cable to D+(Red) D-(Black) GND(Green or Bare)



## ZoneZ Lite Dimmer Line Voltage Wiring

To correctly wire line voltage connections to the ZoneZ Lite dimmer board, use the wiring diagram below.

- Terminals labeled CH1-CH4 are for your lighting loads. Terminals labeled L/N are for load and neutral from your breaker feed.
- Dimmer wattage supported is:
  - 1amp per Dimmer Channel for 4 channel or can be addressed as 1, 2, or 3 channel dimmer at 4 or 2 amps per channel respectively.



## Troubleshooting Guide

**If no response occurs when the system is powered up, use the following steps to identify the problem.**

1. Find the hole labeled SWITCH on the dimming controller and HEARTBEAT on the low voltage contact closure input board.
2. Look for the LED indicator to be blinking in it.
  - a. For the indicator to be blinking, power has to be correctly brought to the system. If the LED indicator is blinking, move on to step 3.
  - b. If the LED indicator is not blinking, confirm power connections and then contact the factory for assistance.
3. Verify that the line voltage has been fed to L/N terminals.
4. Verify that each light fixture is connected to the switched leg CH1-CH4.
5. Verify that 120 VAC has been connected to the transformer/power supply.
6. Take a piece of wire (both ends need to be stripped) and hold one end to any of the terminals labeled 'Common'.
7. Take the other end of the wire and tap it to the conductive metal of each of the eight switch wire inputs. Each tap should energize the dimmer and change its state. The lights should go ON and OFF when the terminal is touched.
8. If the lights do not respond, use a meter on the line voltage dimmer outputs to see if the voltage switches from 0 to 120 VAC.
9. If these steps do not solve the problem, please contact the factory for assistance.

**If button presses are not working, use the following steps to identify the problem.**

1. Take a piece of wire (both ends need to be stripped) and hold one end to any of the terminals labeled 'Common'.
2. Take the other end of the wire and tap it to the conductive metal of each of the eight switch wire inputs. Each tap should energize the dimmer and change its state. The lights should go ON and OFF when the terminal is touched.
3. If the lights do not respond, use a meter and hold one lead to any of the terminals labeled 'Common'.
4. Hold the other meter lead to any of the eight switch wire inputs. The meter should give a reading of 20VDC when energized and 26VDC when not energized.
5. If these steps do not solve the problem, please contact the factory for assistance.



## Frequently Asked Questions

1. Can I update just one section of my Touch-Plate system?
  - a. In most applications just one section of the Touch-Plate system cannot be updated.
  - b. There are some applications where one section of the Touch-Plate system can be updated. This is only possible when there are no shared commons and each panel location has its own transverter.





Touch-Plate ZoneZ Lite Dimmer  
Quick Start Guide  
Revision: 1.0a



[www.touchplate.com](http://www.touchplate.com)

4822 Projects Drive • Fort Wayne, Indiana 46825 • 260.426.1565