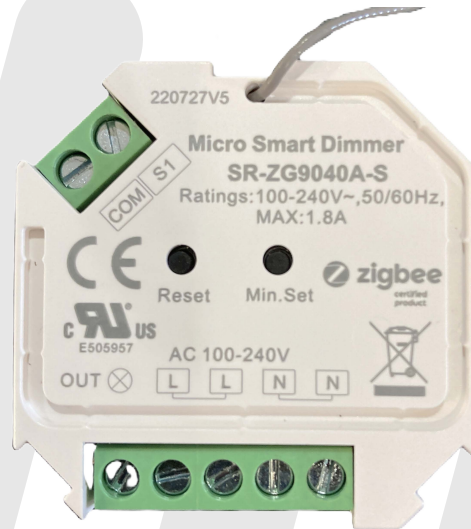


Zigbee Mini Dimmer Pack (SR-ZG9040-S) Specifications



Specifications

Power

- Primary voltage: 120-240 VAC

Rating

- 100W @ 110V Max Load for LEDs
- 200W @ 110V Max Load for Incandescent HV Halogen

Dimming Usage

- Long button presses dim up and dim down
- Short button presses cycle it on and off
- Comes back on at previous light level
- Min. Set button sets minimum brightness level to prevent flickering at low light levels

Compatible Loads

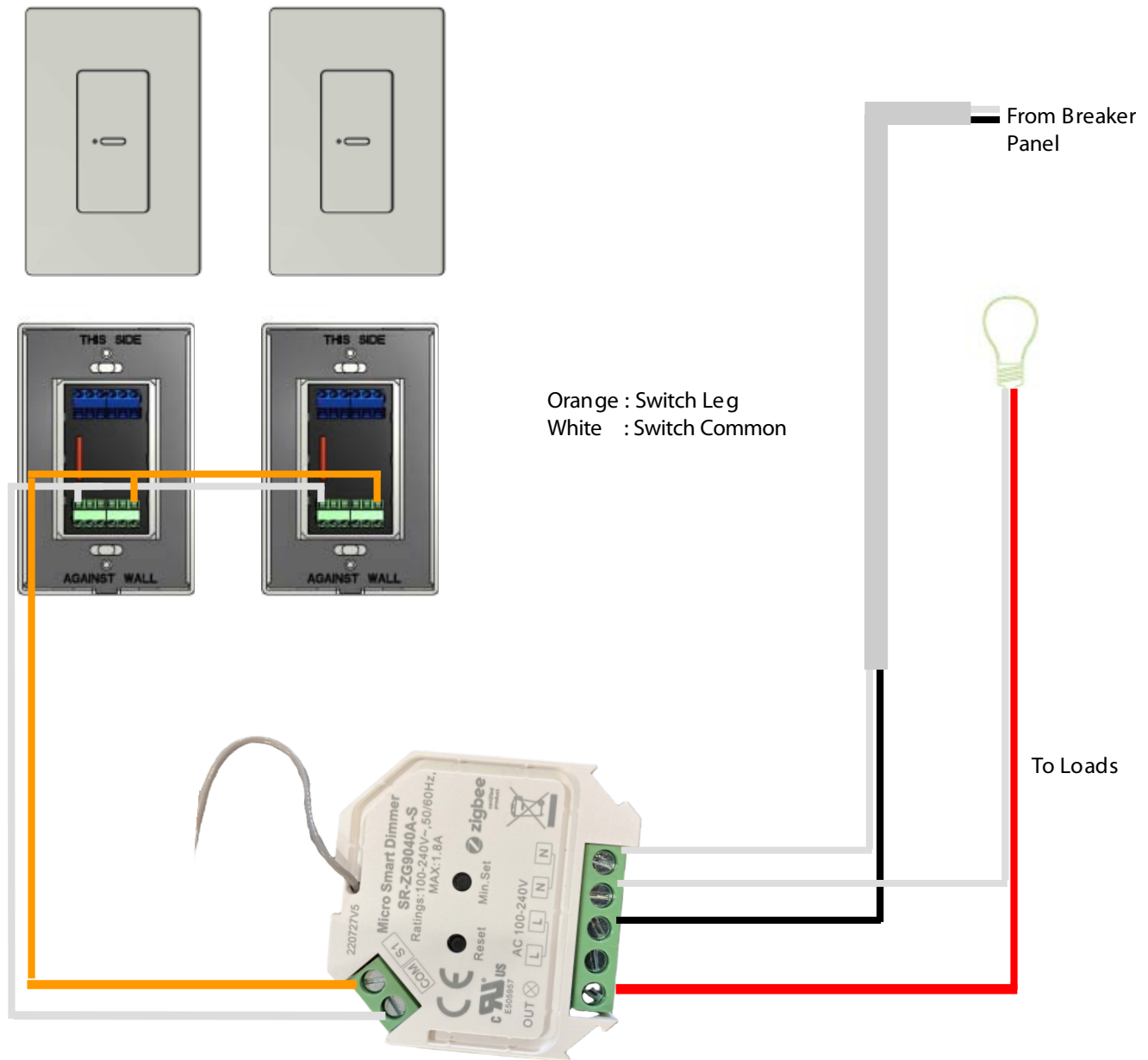
- Incandescent lighting
- Fluorescent lighting
- LED lighting
- Magnetic low-voltage lighting
- Electronic low-voltage lighting

Environment

- Recommend climate-controlled

Options

- Optional connection to a wireless Zigbee controller such as a Philips Hue Bridge for smart control.



Size: 1.75" wide x 1.75" long x 0.875" deep

SR-ZG9040-S