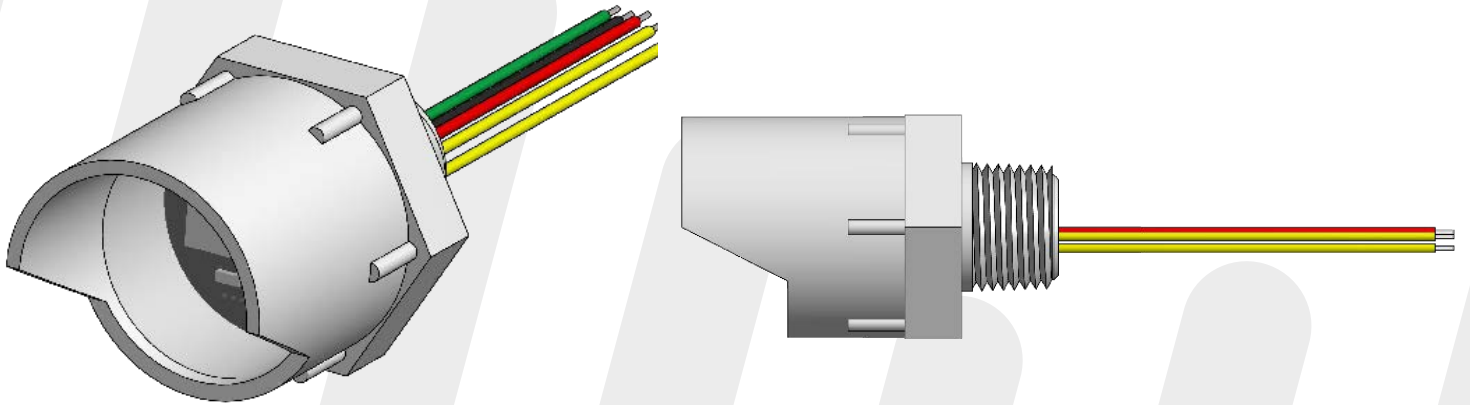


Aura BACnet Exterior Sensor



Benefits

- Designed for daylight harvesting
- Stand-Alone native BACnet device

Features

- Direct BACnet connection via a controller that communicates MSTP
- Light sensor is built-in
- Sensor is used as a 4-level light sensor
- Changeable parameters
 - Hysteresis
 - Sensitivity
 - Time Delay
 - Threshold
 - Many other options
- Comes as a complete unit, which includes a mounting post, washer, and nut

Specifications

Wire

- Requires Axlink 22/01PSH + 18/2C or equivalent

Power

- Primary voltage is 24VAC/VDC

Environment

- -40°F to 158°F, -40°C to 70°C
- 1% to 99% Relative Humidity

Protocol

- BACnet Protocol Revision 1.7

Common Applications

- Almost any BACnet application that requires a sensor for light control

How to Order the Aura BACnet 5-Wire Exterior Sensor

Example	Description	Dimensions
AURLB-EXT	Aura Sensor, Light, BACnet, Exterior	2.48"H x 1.48"W
Rush Ordering Available		

Wiring Diagram

This wiring diagram does not show all the connections. Please see the Aura Exterior Wiring Manual for further wiring instructions.

