

Solare 10A Single Channel Power Amplifier

Part# SLR-PA-10



Product Features

- Receive leading/trailing edge signal of 100-240vac from TRIAC wall dimmer or dimming controller.
- Single channel leading/trailing edge output providing 10A maximum of current.
- Standard 35mm din rail mounting.
- Can be used for incandescent, halogen, LED or LED dimming driver.
- Used to increase the output of a triac wall dimmer or dimming control module in a lighting control system without enough capacity.

Common Applications

- Used with Touch-Plate or other dimming systems where the load size is larger than the available product output.

Specifications

- Primary voltage is 100-240VAC.
- Signal Input is 100-240VAC leading or trailing edge input.
- Signal Output is 100-240VAC leading/trailing edge selectable.

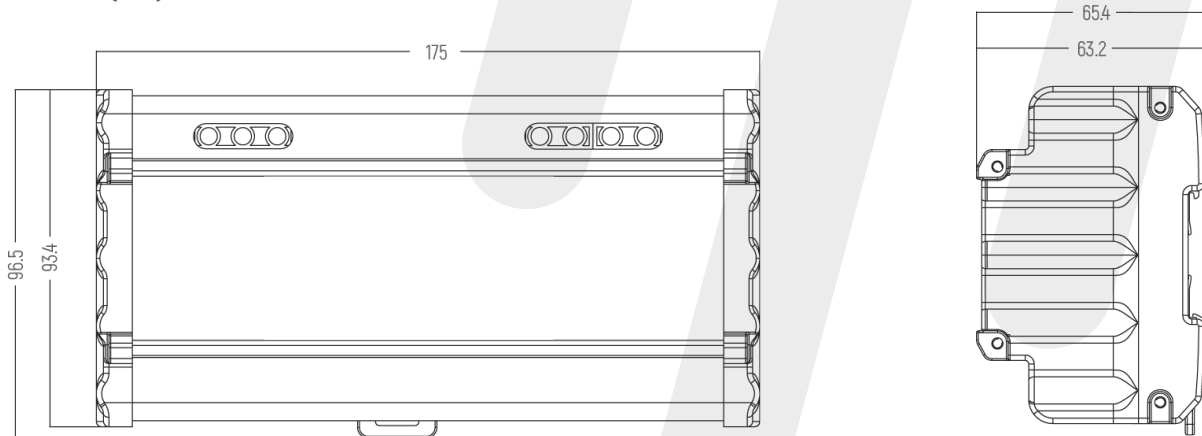
How to Order the Solare SCR Power Amplifier

Example	Description
SLR-PA-10	Solare 10A Leading/Trailing edge selectable SCR Power Amplifier

Technical Specifications

Model	SLR-PA-10	
Input	Voltage	100VAC-240VAC
	Signal	100-240VAC leading or trailing edge signal
	Channels of Signal	1 Channel
Output	Current/Voltage	10A per Channel / 100-240VAC leading/trailing edge switch selectable
	Channels	1
Other	Working Temp	-20°C to 50°C
	Storage Temp/Humidity	-40°C to 85°C, 20-90%RH
	N.W.	700g
	Dimension in(mm)	6.89" x 3.68" x 2.49" (175mm x 93.4mm x 63.2mm) 35mm Din Rail

Dimension(mm)



Wiring Diagram

