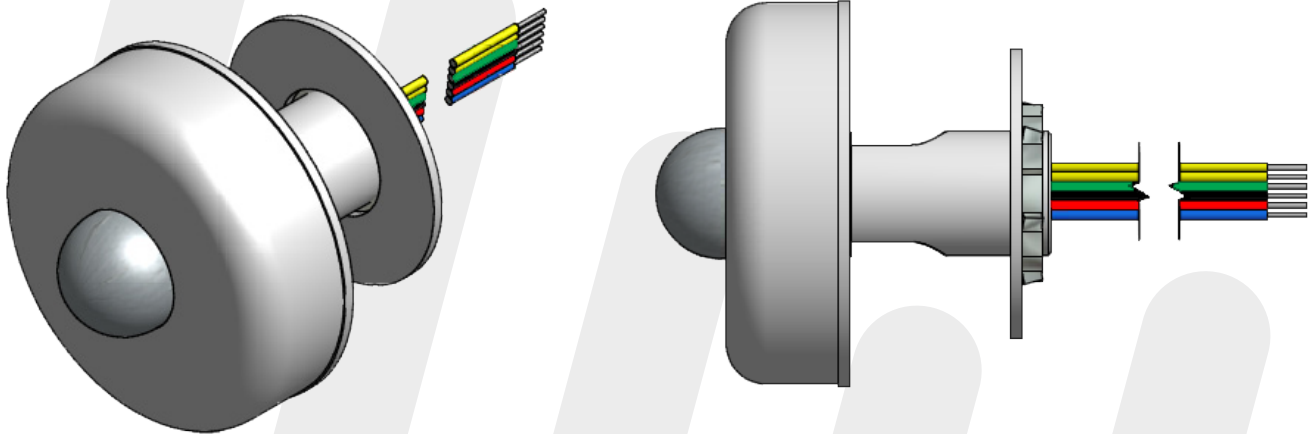


Aura BACnet Interior 5-Wire Sensor Series



Benefits

- Designed for occupancy/vacancy sensing and daylight harvesting

Features

- Direct BACnet connection via a controller that communicates MSTP
- Both light and motion sensor is built-in
- Motion sensor can be disabled, allowing the sensor to be used as a 4-level light sensor
- Changeable parameters
 - Hysteresis
 - Sensitivity
 - Time Delay
 - Threshold
 - Many other options
- Comes as a complete unit, which includes a mounting post, washer, and nut

Specifications

Wire

- Requires Axlink 22/01PSH + 18/2C or equivalent

Power

- Primary voltage is 24VAC/VDC

Environment

- 0 - 60°C (0 - 140°F) non-condensing atmosphere

Protocol

- BACnet Protocol Revision 1.7

Common Applications

- Almost any BACnet application that requires a sensor for light control

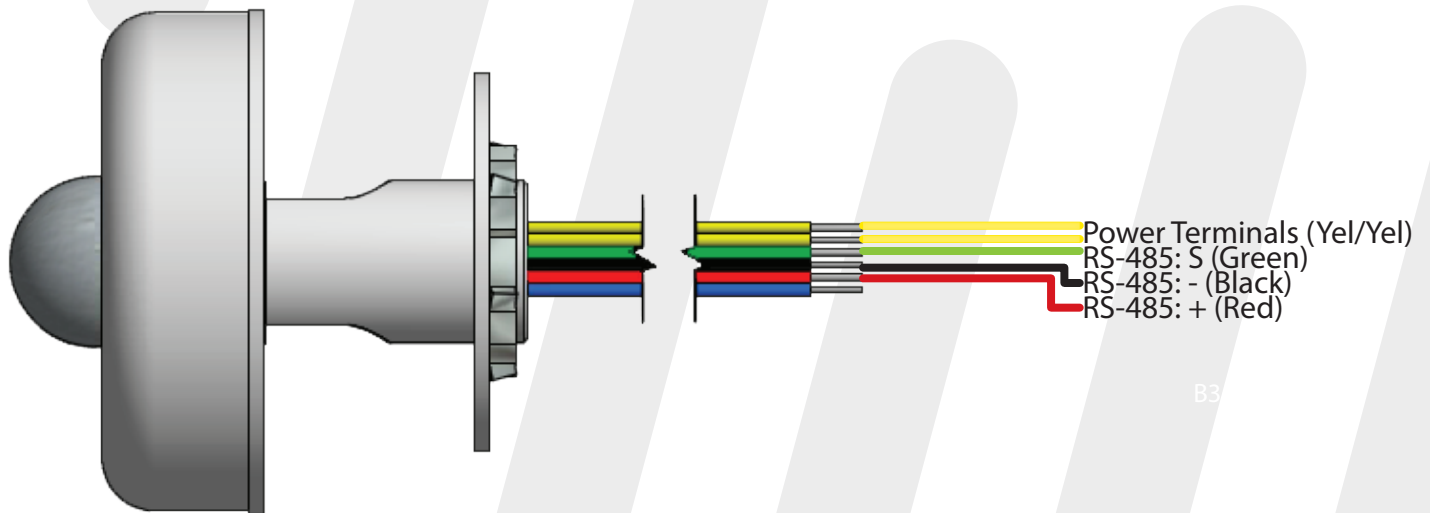


How to Order the Aura BACnet 5-Wire Interior Sensor

Part Number	Description	Dimensions
AURMB-INT	Aura Sensor, Motion/Light, BACnet, Interior	2.48"H x 1.48"W
Rush Ordering Available		

Wiring Diagram

This wiring diagram does not show all the connections. Please see the Aura 5-Wire Interior Series Manual for further wiring instructions.



B3