

Classic Wiring Diagram for Single Pole Single Throw (SPST) Systems

Use the following to wire a Classic Switch. SPST systems are Touchplate and similar two-wire systems.

Each system will have different components and this document does not show all possible connections.

Button Layout

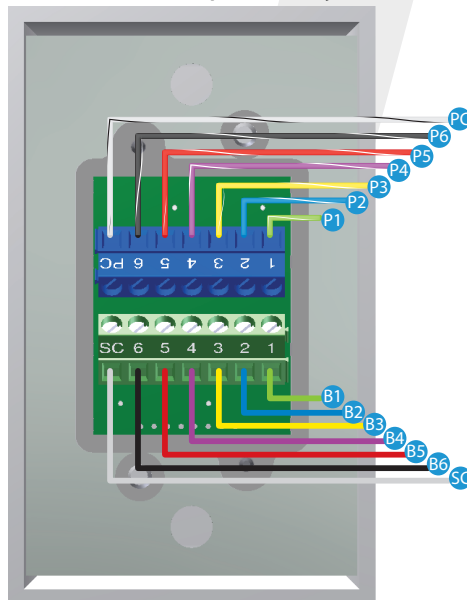


Switch and LED Wiring

- Switch terminals are green; pilot terminals are blue
- Recommended wire size is 16-18 AWG
- 'SC' stands for switch common; 'PC' stands for pilot common

Powering the Station

- **LED Voltage Range:** 10 - 24VDC; use of a separate power supply will require the use of separate commons.
- **Draw on LED Resistor:** Max of 4mA per LED.
- **Shared Common:** When using a single common to power both the switches and LEDs, a wire is needed to connect both common terminals together.
- **Separate Commons:** When using separate commons to power the switches and LEDs, the common terminals will be wired separately.



Classic Wiring Diagram for Single Pole Double Throw (SPDT) Systems

Use the following to wire a Classic Switch. SPDT systems are GE, Remcon and similar three-wire systems.

Each system will have different components and this document does not show all possible connections.

Button Layout



Switch and LED Wiring

- Switch terminals are green; pilot terminals are blue
- Recommended wire size is 16-18 AWG
- 'SC' stands for switch common; 'PC' stands for pilot common

Powering the Station

- **LED Voltage Range:** 10 - 24VDC; use of a separate power supply will require the use of separate commons.
- **Draw on LED Resistor:** Max of 4mA per LED.
- **Shared Common:** When using a single common to power both the switches and LEDs, a wire is needed to connect both common terminals together.
- **Separate Commons:** When using separate commons to power the switches and LEDs, the common terminals will be wired separately.

